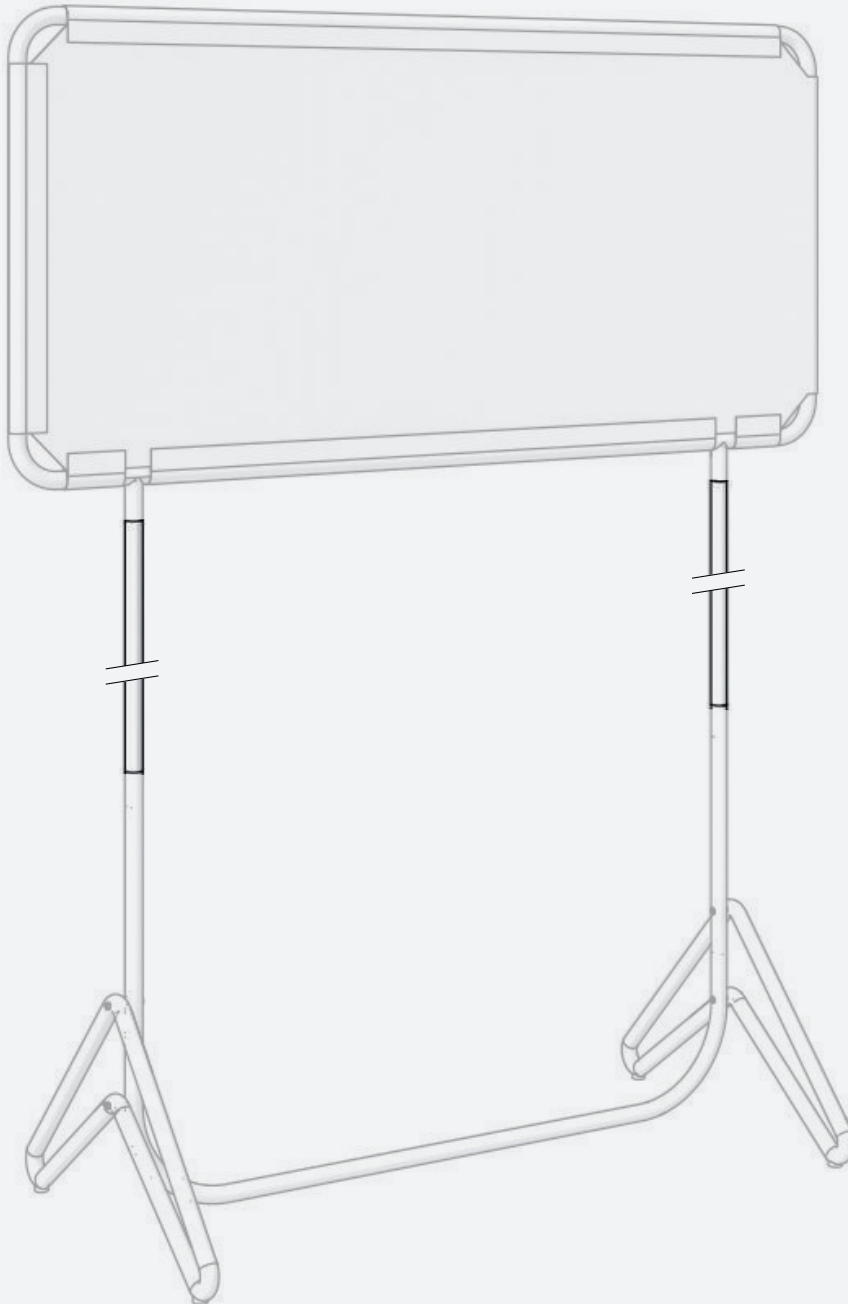


# OUTDOOR PANEL EXTENDER 90/110

Outdoor use



Packed for 2 panels  
For extending too table-  
height of 90 cm or 110 cm



Outdoor use



Use disinfection wipes  
on plastic screen

**IN/BETWEEN** safer together  
BY SATELLIET®

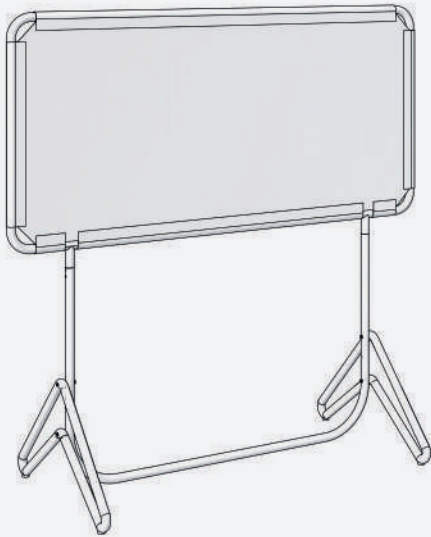
[www.safertogether.info](http://www.safertogether.info)

# ASSEMBLY PARTS

**A**  
4x



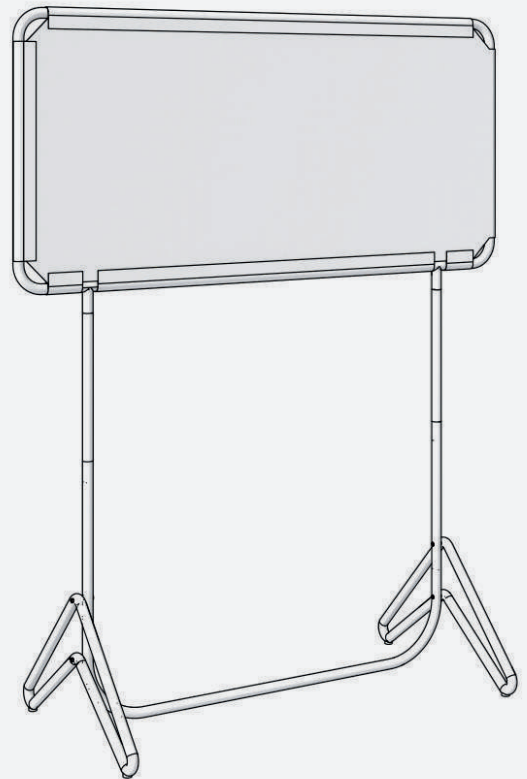
**B**  
4x



+



=



Tools needed



**IN/BETWEEN** safer together  
BY SATELLIET®

[www.safertogether.info](http://www.safertogether.info)

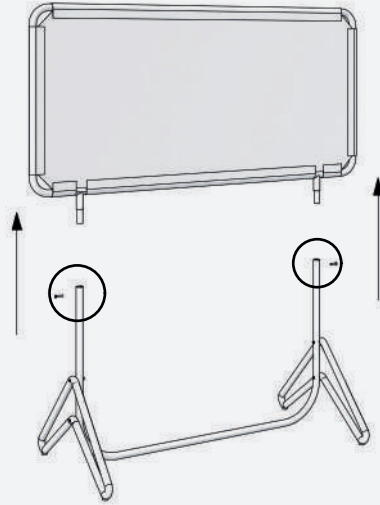
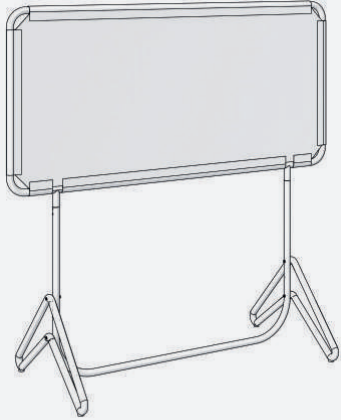


This product is made out of recyclable cardboard in combination with PET Plastic. Don't use any water or other liquids on or near the cardboard parts.

# ASSEMBLY MANUAL

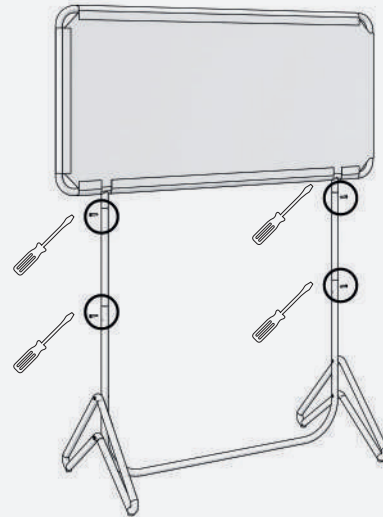
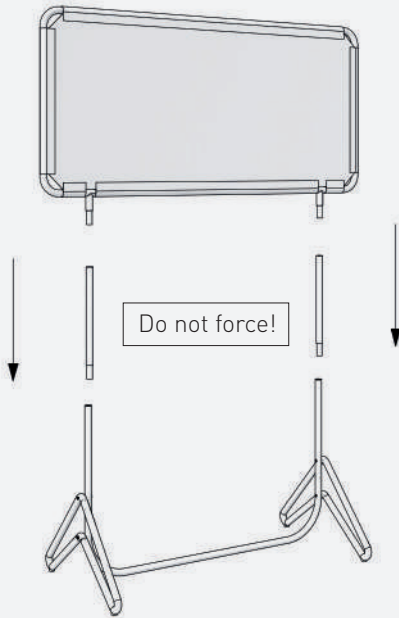
Please follow the instructions step by step.

1.



2.

2x A  
2x B



**IN/BETWEEN** safer together  
BY SATELLIET®

[www.safertogether.info](http://www.safertogether.info)



This product is made out of recyclable cardboard in combination with PET Plastic. Don't use any water or other liquids on or near the cardboard parts.